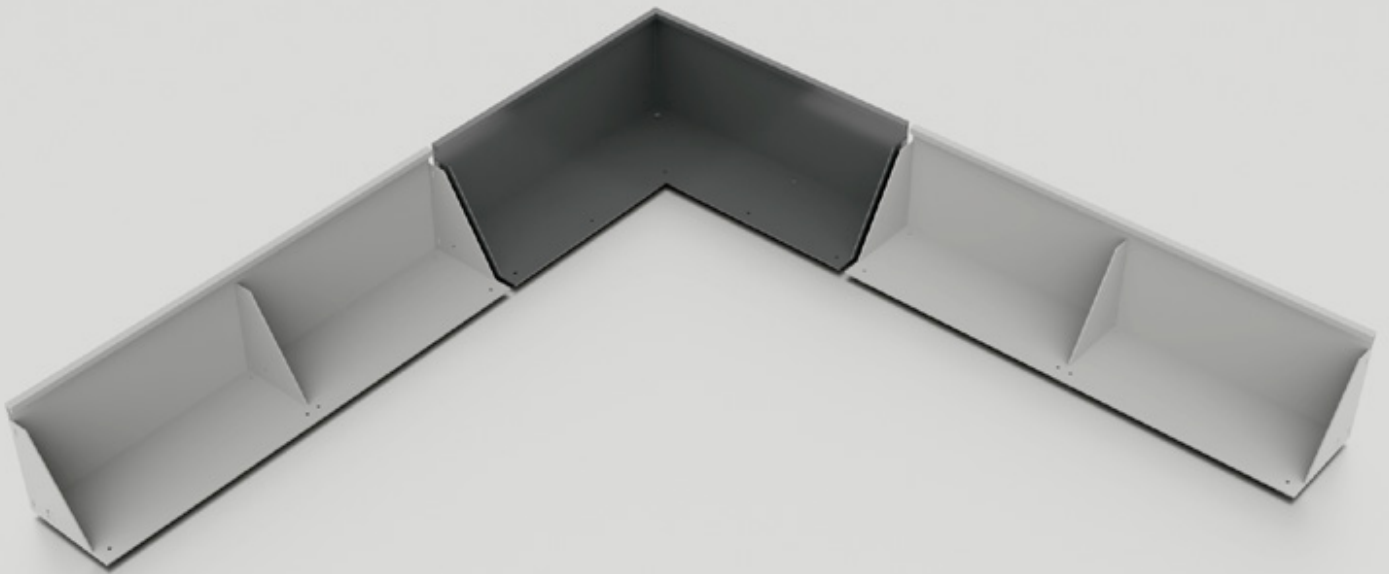


Merge Edging



corten studio

Specification Sheet Version 1
Units Measured in Imperial Inches

Corten Studio reserves the right to revise technical specifications at any time without prior notice. Correct mounting hardware and the method of mounting of the product are imperative to user safety. Use installation instructions to correctly position and install product. ©2021 Corten Studio

Corner Section

Merge Edging is a system of single walled connecting components designed to be integrated together suiting a specific site plan or design for enclosed or elevated landscaped areas. These components are highly customizable, with angles and curves, variable dimensions in height and width. The system includes four primary components that fit together modularly to create one larger configuration. Each component is reinforced internally for added strength, contributing to the whole once each part is fastened together.

Merge Edging

Corner Section



(01) Materials

Merge Edging is made from 1/4" mild steel, marine grade aluminum, or weathering Corten steel.

- Mild Steel
- Aluminum
- Weathering Corten Steel

(02) Standard Powder Coat

- Matte Black
- Gloss White
- Pewter
- Charcoal Gray
- Soybean
- Metallic Silver

(03) Premium Powder Coat

- Obsidian
- Sandstone
- Desert
- Terra
- Dark Oak
- Smoke

(04) Custom Powder Coat

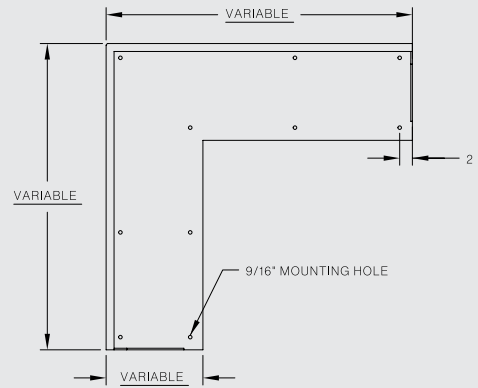
RAL _____

(05) Additional Details & Features

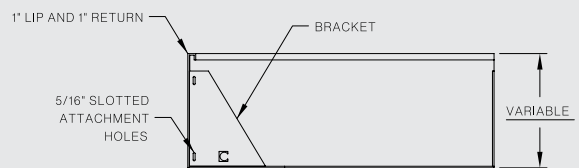
- 1" Top Fold with 1" Return
- No Top Lip
- Integrated Lighting
- Castors
- Drainage Holes
- Toe Kick

(06) Notes / Quantity Needed

Plan View



Side Elevation



Merge Edging



corten studio

Specification Sheet Version 1
Units Measured in Imperial Inches

Corten Studio reserves the right to revise technical specifications at any time without prior notice. Correct mounting hardware and the method of mounting of the product are imperative to user safety. Use installation instructions to correctly position and install product. ©2021 Corten Studio

Variable Corner

Merge Edging is a system of single walled connecting components designed to be integrated together suiting a specific site plan or design for enclosed or elevated landscaped areas. These components are highly customizable, with angles and curves, variable dimensions in height and width. The system includes four primary components that fit together modularly to create one larger configuration. Each component is reinforced internally for added strength, contributing to the whole once each part is fastened together.

Merge Edging

Variable Corner



(01) Materials

Merge Edging is made from 1/4" mild steel, marine grade aluminum, or weathering Corten steel.

- Mild Steel
- Aluminum
- Weathering Corten Steel

(02) Standard Powder Coat

- Matte Black
- Gloss White
- Pewter
- Charcoal Gray
- Soybean
- Metallic Silver

(03) Premium Powder Coat

- Obsidian
- Sandstone
- Desert
- Terra
- Dark Oak
- Smoke

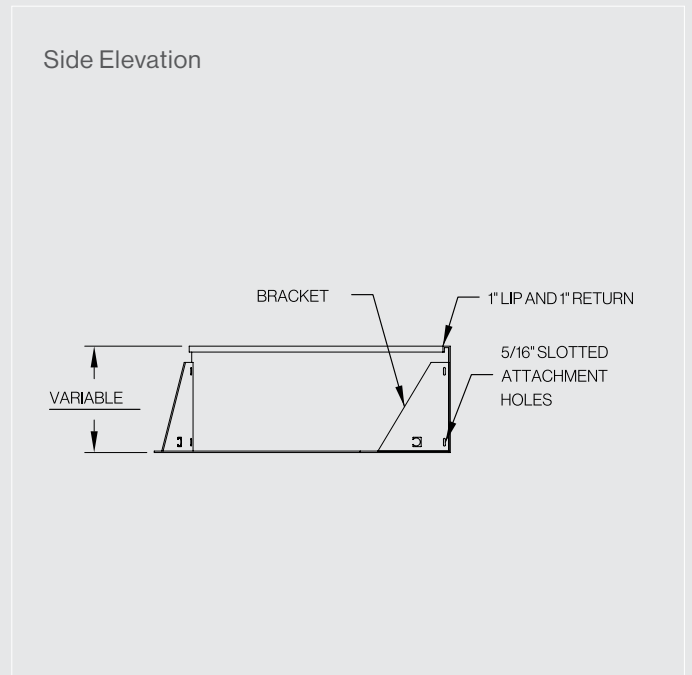
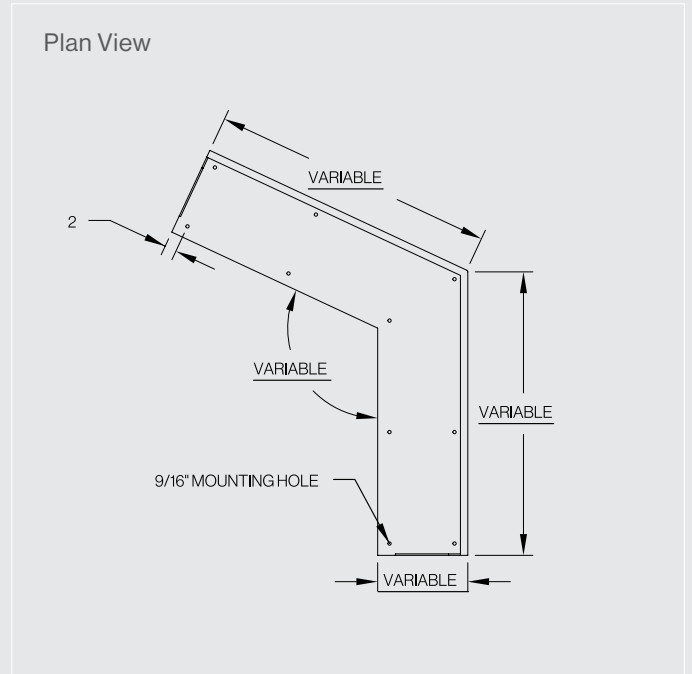
(04) Custom Powder Coat

RAL _____

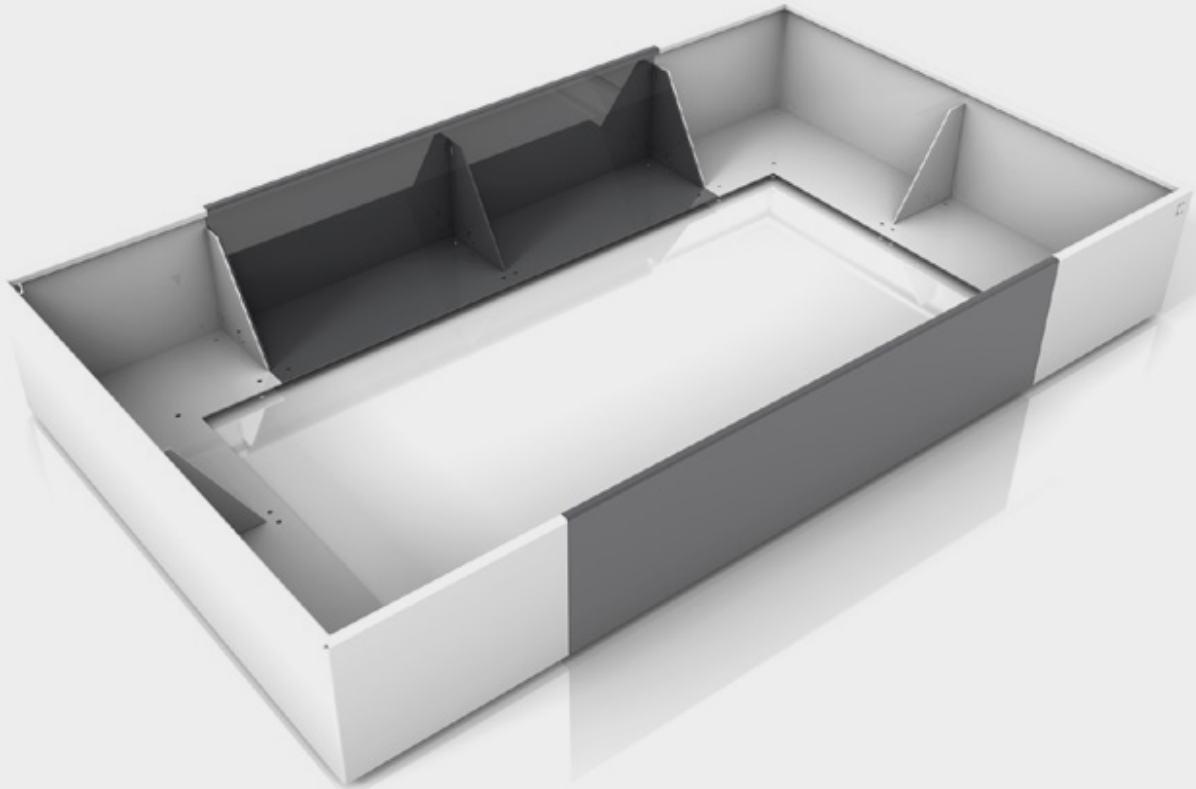
(05) Additional Details & Features

- 1" Top Fold with 1" Return
- No Top Lip
- Integrated Lighting
- Castors
- Drainage Holes
- Toe Kick

(06) Notes / Quantity Needed



Merge Edging



corten studio

Specification Sheet Version 1
Units Measured in Imperial Inches

Corten Studio reserves the right to revise technical specifications at any time without prior notice. Correct mounting hardware and the method of mounting of the product are imperative to user safety. Use installation instructions to correctly position and install product. ©2021 Corten Studio

Straight Section

Merge Edging is a system of single walled connecting components designed to be integrated together suiting a specific site plan or design for enclosed or elevated landscaped areas. These components are highly customizable, with angles and curves, variable dimensions in height and width. The system includes four primary components that fit together modularly to create one larger configuration. Each component is reinforced internally for added strength, contributing to the whole once each part is fastened together.

Merge Edging

Straight Section

(01) Materials

Merge Edging is made from 1/4" mild steel, marine grade aluminum, or weathering Corten steel.

- Mild Steel
- Aluminum
- Weathering Corten Steel

(02) Standard Powder Coat

- Matte Black
- Gloss White
- Pewter
- Charcoal Gray
- Soybean
- Metallic Silver

(03) Premium Powder Coat

- Obsidian
- Sandstone
- Desert
- Terra
- Dark Oak
- Smoke

(04) Custom Powder Coat

RAL _____

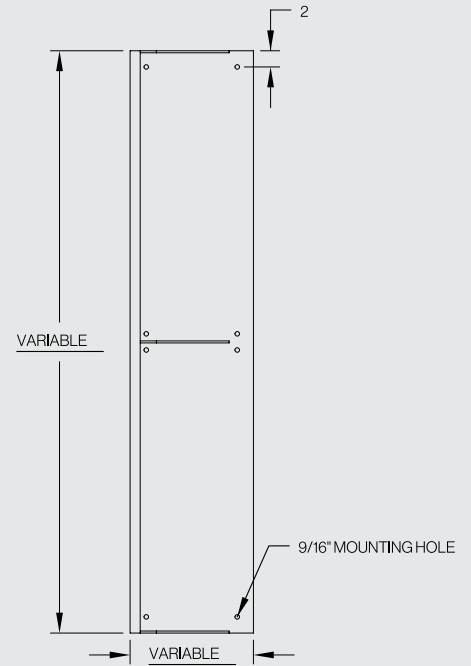
(05) Additional Details & Features

- 1" Top Fold with 1" Return
- No Top Lip
- Integrated Lighting
- Castors
- Drainage Holes
- Toe Kick

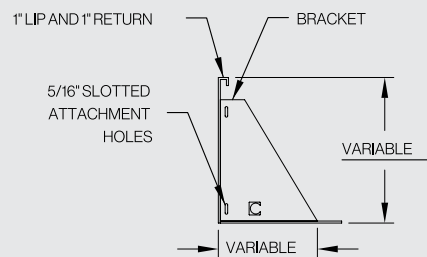
(06) Notes / Quantity Needed



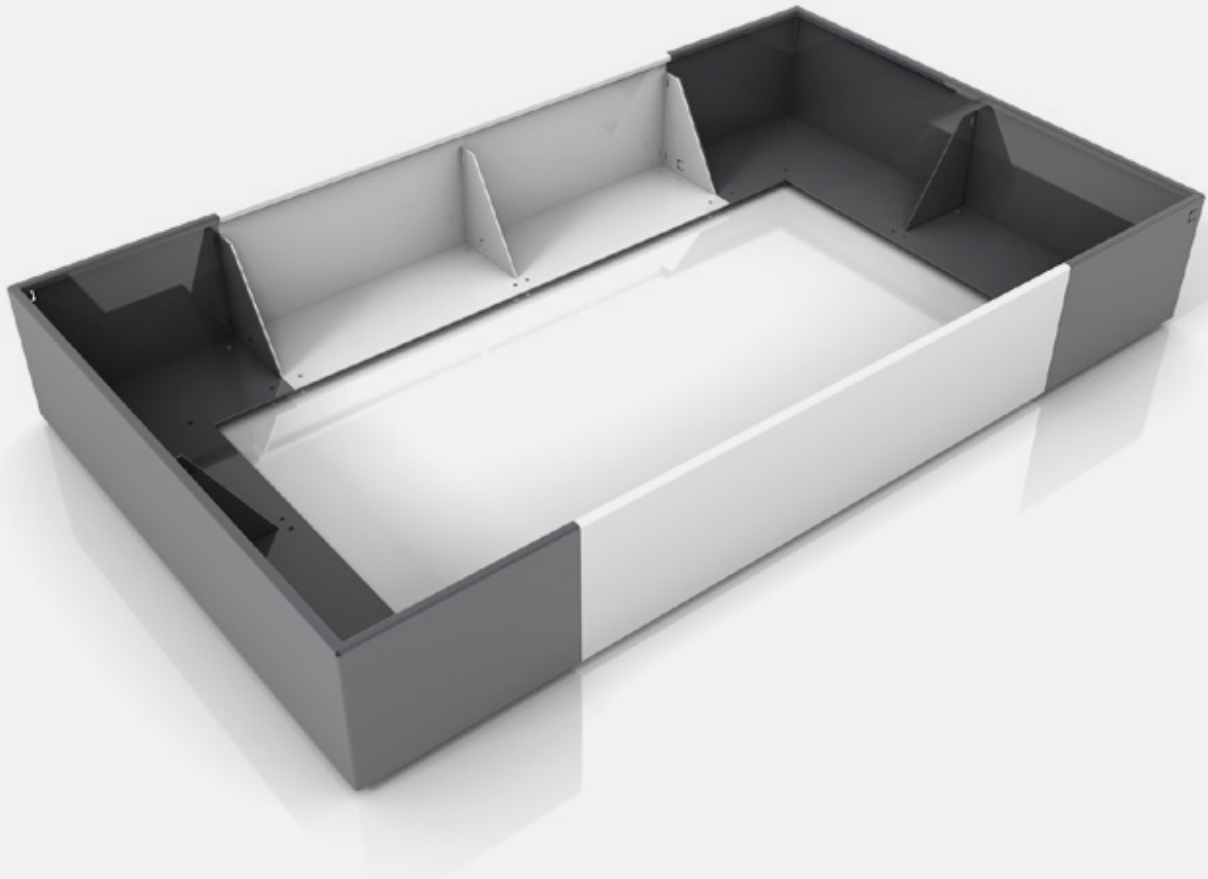
Plan View



Side Elevation



Merge Edging



corten studio

Specification Sheet Version 1
Units Measured in Imperial Inches

Corten Studio reserves the right to revise technical specifications at any time without prior notice. Correct mounting hardware and the method of mounting of the product are imperative to user safety. Use installation instructions to correctly position and install product. ©2021 Corten Studio

End Cap

Merge Edging is a system of single walled connecting components designed to be integrated together suiting a specific site plan or design for enclosed or elevated landscaped areas. These components are highly customizable, with angles and curves, variable dimensions in height and width. The system includes four primary components that fit together modularly to create one larger configuration. Each component is reinforced internally for added strength, contributing to the whole once each part is fastened together.

Merge Edging

End Cap



(01) Materials

Merge Edging is made from 1/4" mild steel, marine grade aluminum, or weathering Corten steel.

- Mild Steel
- Aluminum
- Weathering Corten Steel

(02) Standard Powder Coat

- Matte Black
- Gloss White
- Pewter
- Charcoal Gray
- Soybean
- Metallic Silver

(03) Premium Powder Coat

- Obsidian
- Sandstone
- Desert
- Terra
- Dark Oak
- Smoke

(04) Custom Powder Coat

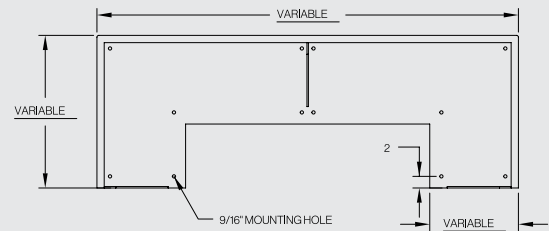
RAL _____

(05) Additional Details & Features

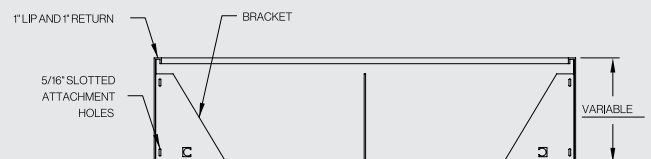
- 1" Top Fold with 1" Return
- No Top Lip
- Integrated Lighting
- Castors
- Drainage Holes
- Toe Kick

(06) Notes / Quantity Needed

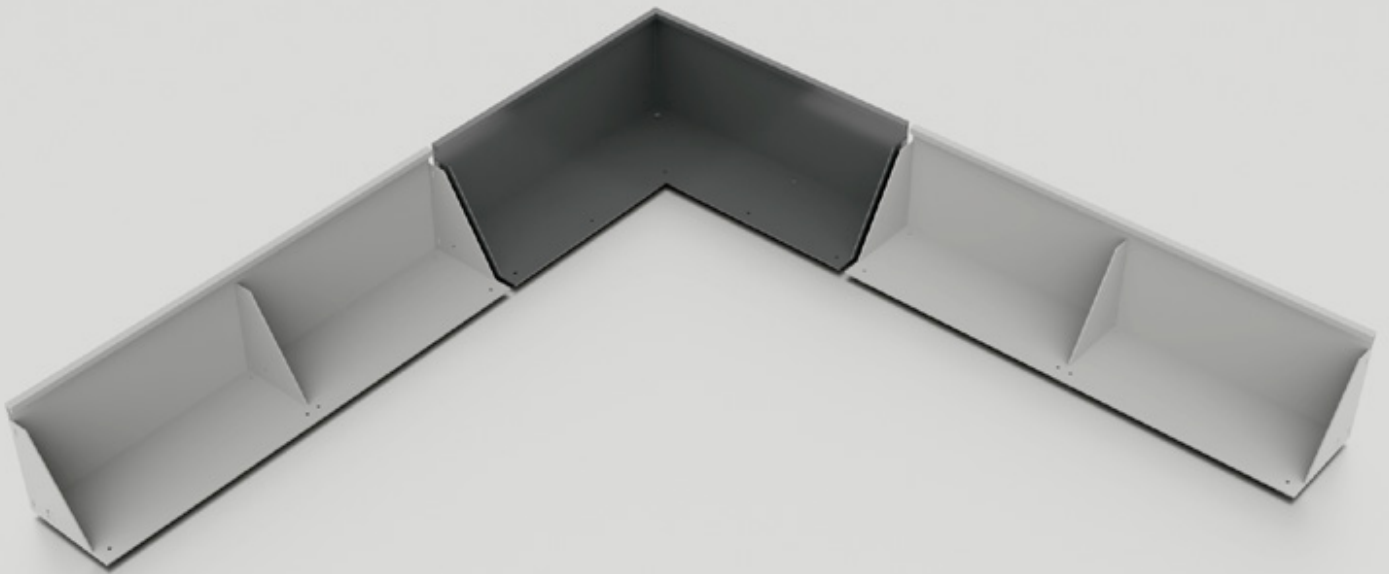
Plan View



Side Elevation



Merge Edging



corten studio

Specification Sheet Version 1
Units Measured in Imperial Inches

Corten Studio reserves the right to revise technical specifications at any time without prior notice. Correct mounting hardware and the method of mounting of the product are imperative to user safety. Use installation instructions to correctly position and install product. ©2021 Corten Studio

Corner Section

Merge Edging is a system of single walled connecting components designed to be integrated together suiting a specific site plan or design for enclosed or elevated landscaped areas. These components are highly customizable, with angles and curves, variable dimensions in height and width. The system includes four primary components that fit together modularly to create one larger configuration. Each component is reinforced internally for added strength, contributing to the whole once each part is fastened together.

Merge Edging

Corner Section



(01) Materials

Merge Edging is made from 1/4" mild steel, marine grade aluminum, or weathering Corten steel.

- Mild Steel
- Aluminum
- Weathering Corten Steel

(02) Standard Powder Coat

- Matte Black
- Gloss White
- Pewter
- Charcoal Gray
- Soybean
- Metallic Silver

(03) Premium Powder Coat

- Obsidian
- Sandstone
- Desert
- Terra
- Dark Oak
- Smoke

(04) Custom Powder Coat

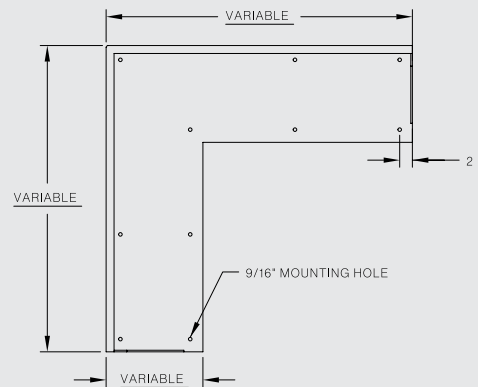
RAL _____

(05) Additional Details & Features

- 1" Top Fold with 1" Return
- No Top Lip
- Integrated Lighting
- Castors
- Drainage Holes
- Toe Kick

(06) Notes / Quantity Needed

Plan View



Side Elevation

